

# MC0322, MC0522 and MC0722 Service Parts

This part list contains the service parts for the air cooled, water cooled MC0322 and MC0522 plus the air cooled MC0722 ice machines. The differences include voltages, condensing types and cube sizes.

To avoid costly and time consuming errors, double check the model and voltage before ordering a part.

Note: These abbreviations are used in this list:

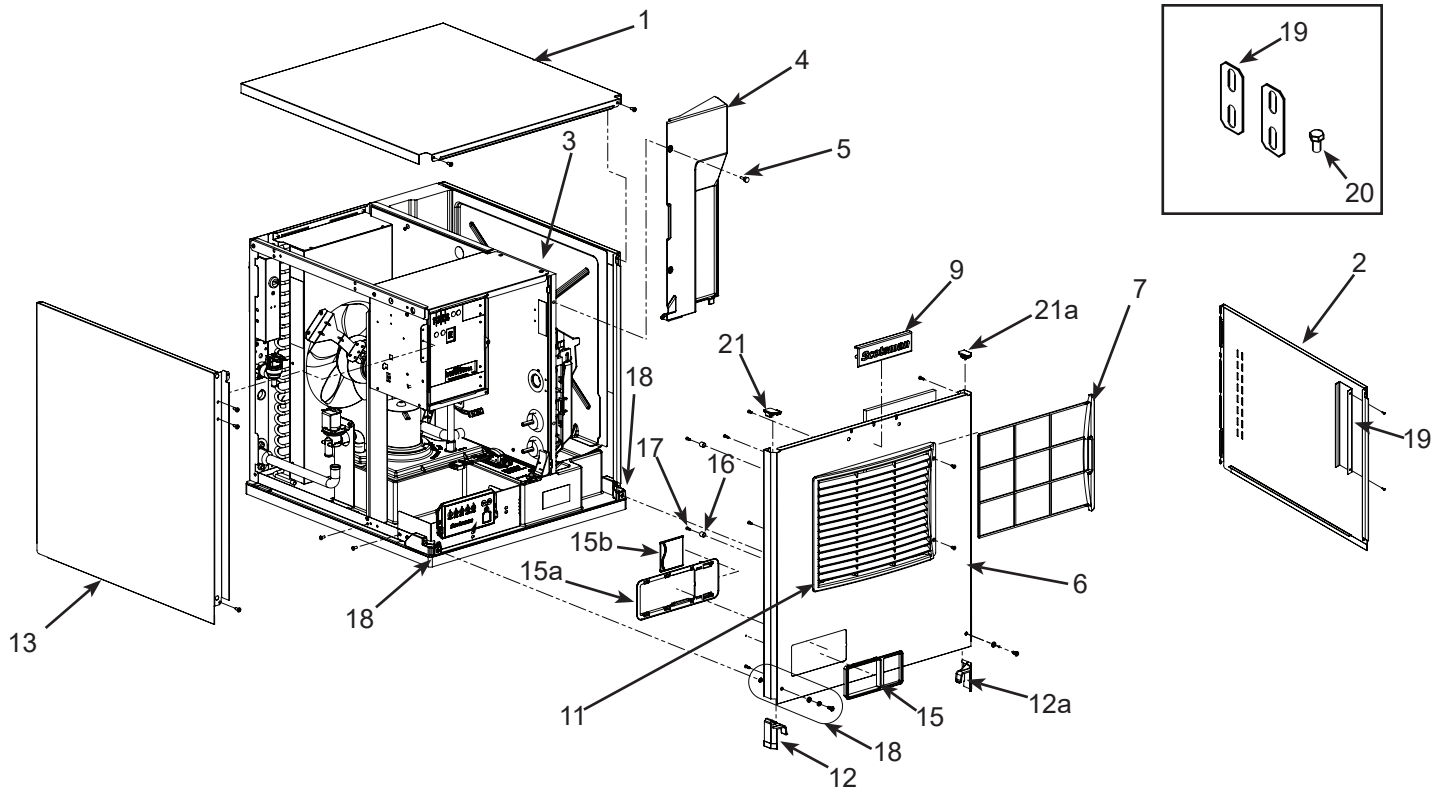
- AC = Air Cooled
- WC = Water Cooled
- RC = Remote Cooled
- HGV = Hot Gas Valve
- TXV = Thermostatic Expansion Valve
- Volt = Voltage
- Sol Vlv = Solenoid Valve
- Hdwe = Hardware

## Contents

Cabinet MC0322 and MC0522. . . . .	Page 2
Cabinet MC0722.. . . .	Page 3
Interior Parts. . . . .	Page 4
Evaporator Compartment - MC0322 or MC0522.. . . .	Page 5
Air or Water Cooled Refrigeration .. . . .	Page 6
Fan and Condenser Area - MC0322 . . . . .	Page 7
Fan and Condenser Area - MC0522, MC0722. . . . .	Page 8
Electrical and Control Box. . . . .	Page 9
Compressors and Compressor Electrical . . . . .	Page 10
Remote Condenser .. . . .	Page 11
Wiring Diagram MC0322 .. . . .	Page 12
Schematic Diagram MC0322 .. . . .	Page 13
Wiring Diagram MC0522 .. . . .	Page 14
Schematic Diagram MC0522 .. . . .	Page 15

# MC0322, MC0522 and MC0722 Service Parts

## Cabinet MC0322 and MC0522



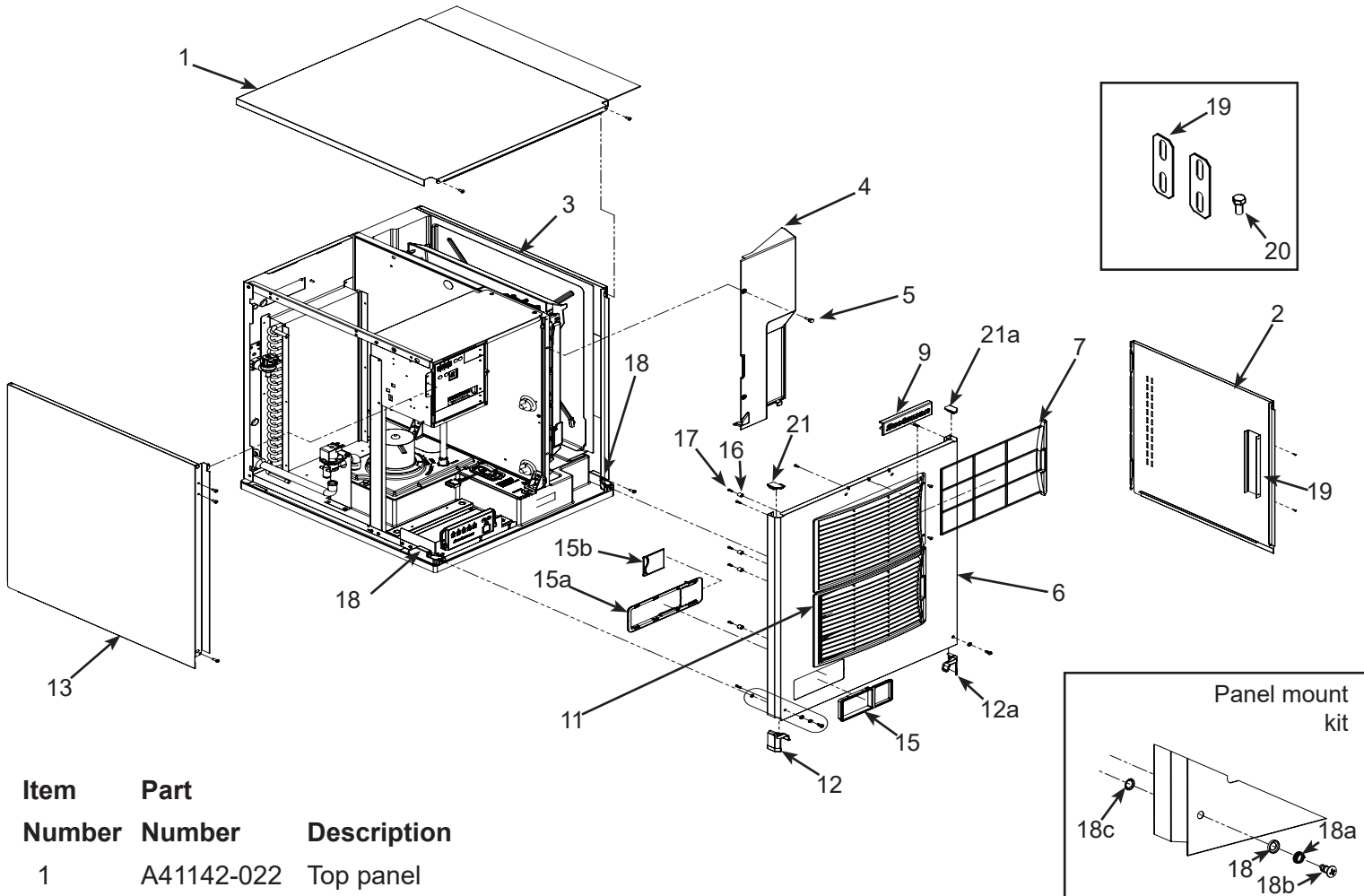
Item Number	Part Number	Description
1	A41142-022	Top panel
2	A41144-021	Right side panel
3	02-4336-01	Right side liner
3a	A40511-001	Liner bracket
4	02-4240-01	Evaporator cover**
5	03-0727-05	Thumbscrew
6	A41141-025	Front panel, AC*
	A41141-026	Front panel, WC*
7	02-4212-03	Air filter
8	03-1419-26	Screw
9	02-5154-01	Emblem
10		
11	02-4224-03	Louvers
11A	03-1419-26	Screw
12	02-5141-01	Bottom left corner
12a	02-5141-02	Bottom right corner
13	A41143-021	Left side panel, air
	A41143-022	Left side panel, water
14	03-1404-10	Screw
15	02-5142-01	Bezel with standard door
15a	02-5143-01	Door, bezel
15b	02-5143-02	Door, bezel secure
16	02-4824-01	Spacer
17	03-1731-02	Screw
18	02-5151-21	Panel mount kit left
18a	02-5151-22	Panel mount kit right
19	A30911-015	Machine straps
20	03-1405-15	Screw
21	02-5140-01	Top left corner
21a	02-5140-02	Top right corner

\* Front panels are complete, including air filters and all trim, bezels, labels and screws.

\*\* Order 2 feet of foam gasket with evaporator cover. Part 13-0943-07.

# MC0322, MC0522 and MC0722 Service Parts

## Cabinet MC0722



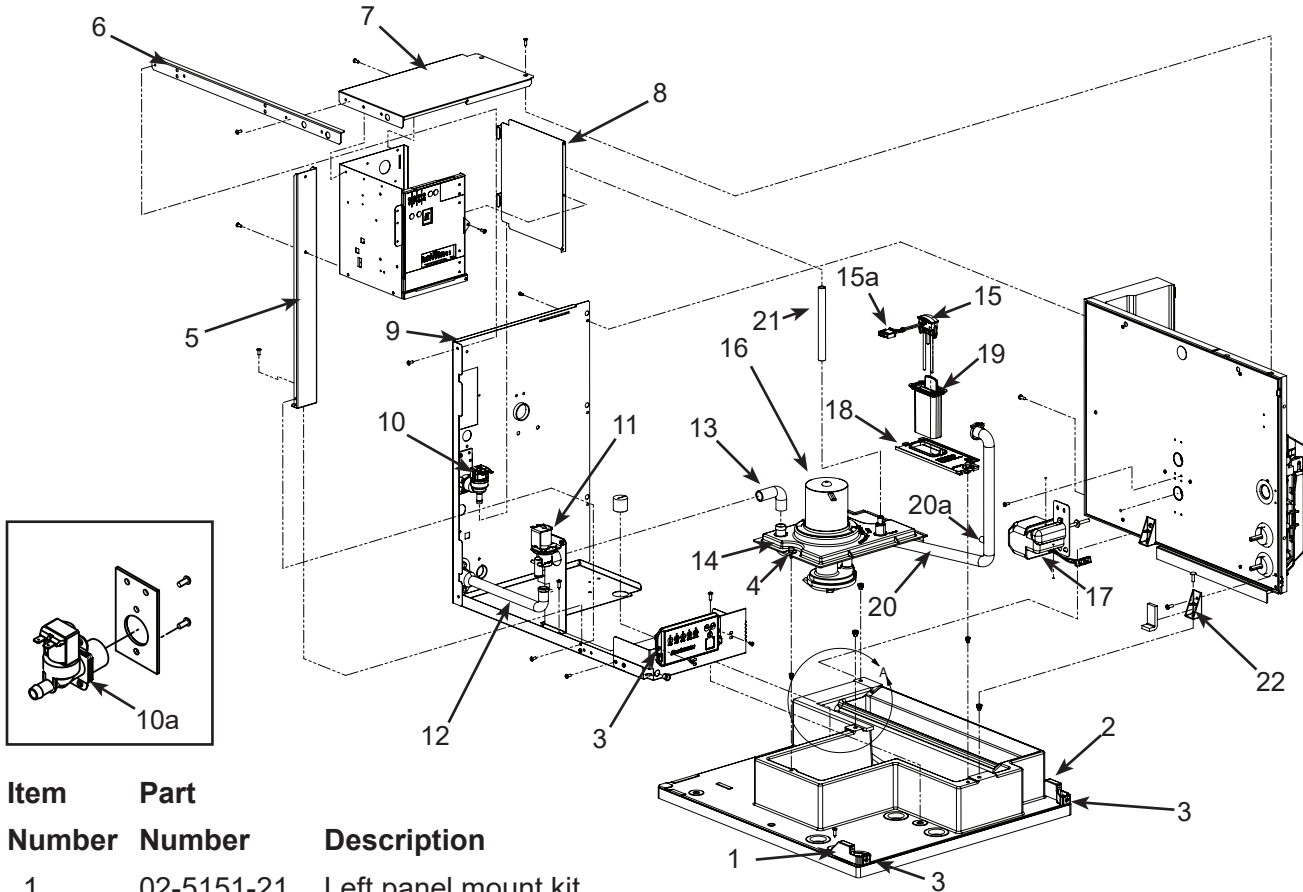
Item Number	Part Number	Description
1	A41142-022	Top panel
2	A41144-022	Right side panel
3	02-4336-01	Right side liner
3a	A40511-001	Liner bracket
4	02-4240-01	Evaporator cover**
5	03-0727-05	Thumbscrew
6	A41141-027	Front panel, AC*
7	02-4212-03	Air filter
8	03-1419-26	Screw
9	02-5154-01	Emblem
10		
11	02-4224-03	Louvers
11A	03-1419-26	Screw
12	02-5141-01	Bottom left corner
12a	02-5142-02	Bottom right corner
13	A41143-023	Left side panel, air
14	03-1404-10	Screw
15	02-5142-01	Bezel with standard door
15a	02-5143-01	Door, bezel
15b	02-5143-02	Door, bezel secure
16	02-4824-01	Spacer
17	03-1731-02	Screw
18	02-5151-21	Panel mount kit left
18a	02-5151-22	Panel mount kit right
18b		
18c		
19	A30911-015	Machine straps
20	03-1405-15	Screw
21	02-5140-01	Top left corner
21a	02-5140-02	Top right corner

\* Front panels are complete, including air filters and all trim, bezels, labels and screws.

\*\* Order 2 feet of foam gasket with evaporator cover. Part 13-0943-07.

# MC0322, MC0522 and MC0722 Service Parts

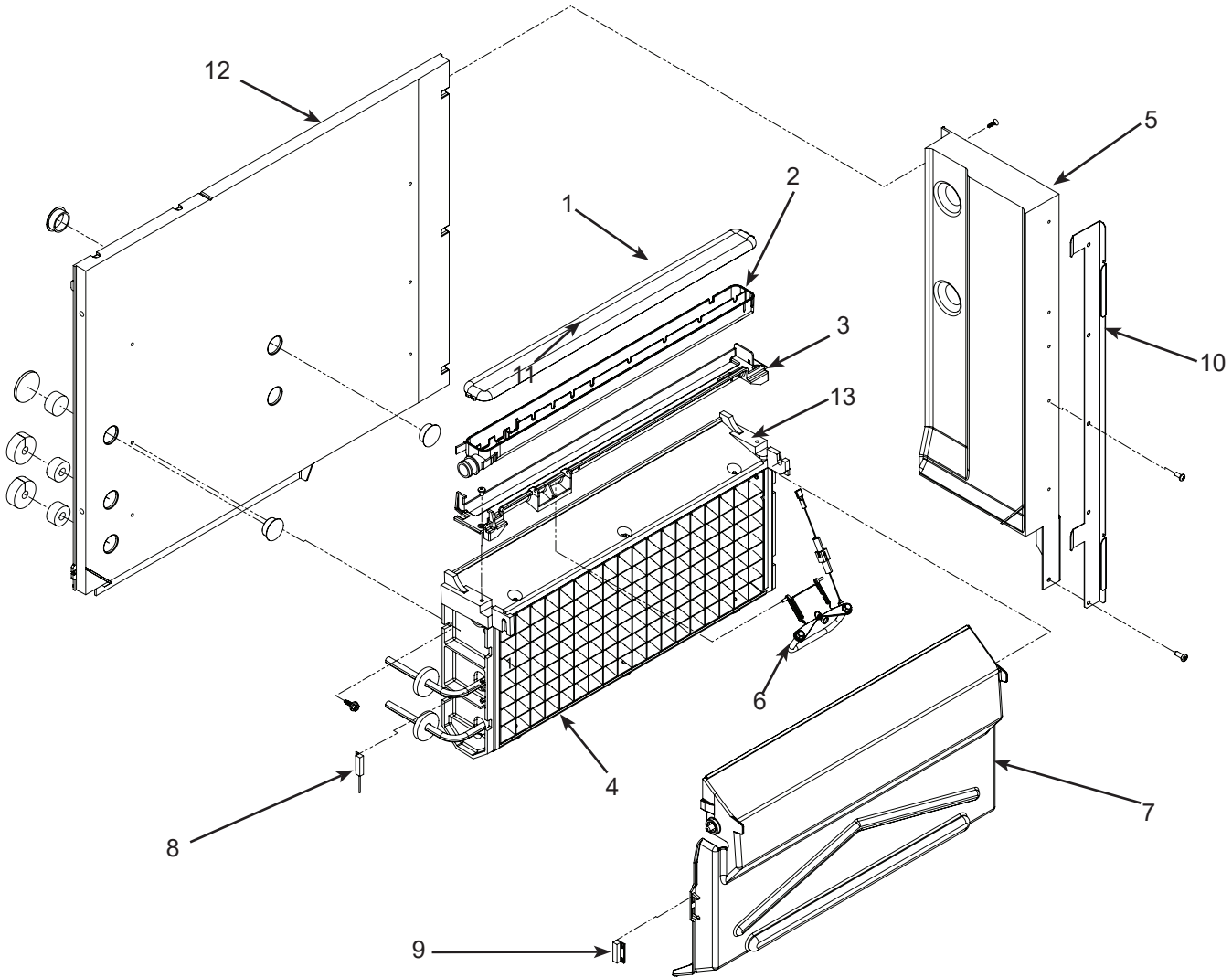
## Interior Parts



Item Number	Part Number	Description	
1	02-5151-21	Left panel mount kit	
2	02-5151-22	Right panel mount kit	
3	11-0642-21	Lower switch panel w/ harness	
4	03-0727-05	Thumbscrew	
5	A38607-001	Strut, MC0322, MC0522	
5a	A40059-001	MC0722	
6	A40282-001	Brace	
7	A40283-002	Control box top	
8	A38537-001	Control box side	
9	no number	Back panel	
10	12-3124-01	Inlet water sol vlv, 115 volt	
	12-3124-02	Inlet water sol vlv, 230 volt	
	12-2912-01	Water valve rebuild kit	
11	11-0564-01	Purge valve, 115 volt	
	11-0564-02	Purge valve, 230 volt	
12	A38861-002	Drain tube	
13	A38861-001	Drain hose	
14	02-4164-01	Water pump bracket	
	15	A41192-021	Water level sensor
	15a	12-3185-02	WLS Harness
	16	12-2919-21	Water pump, 115 volt
		12-2919-22	Water pump, 208-230 volt
	17	12-3060-21	Harvest assist, 115 volt
		12-3060-22	Harvest assist, 230 volt
	18	02-4648-01	Reservoir cover
	19	02-4646-01	Sensor guard
	20	02-4154-02	Pump hose, MC0522
		02-4154-01	Pump hose, MC0322
		02-4154-03	Pump hose, MC0722
	20a	11-0515-21	Temp sensor set
	21	13-0674-02	Fill hose - order per foot
		15-0821-01	Fill hose, -6 CE models
	22	02-4152-01	Gusset

# MC0322, MC0522 and MC0722 Service Parts

## Evaporator Compartment - MC0322 or MC0522



Item Number	Part Number	Description
1	02-4065-01	Water distributor cover
2	02-4064-01	Water distributor
3	02-4205-01	Mounting bracket
4	see table	Evaporator

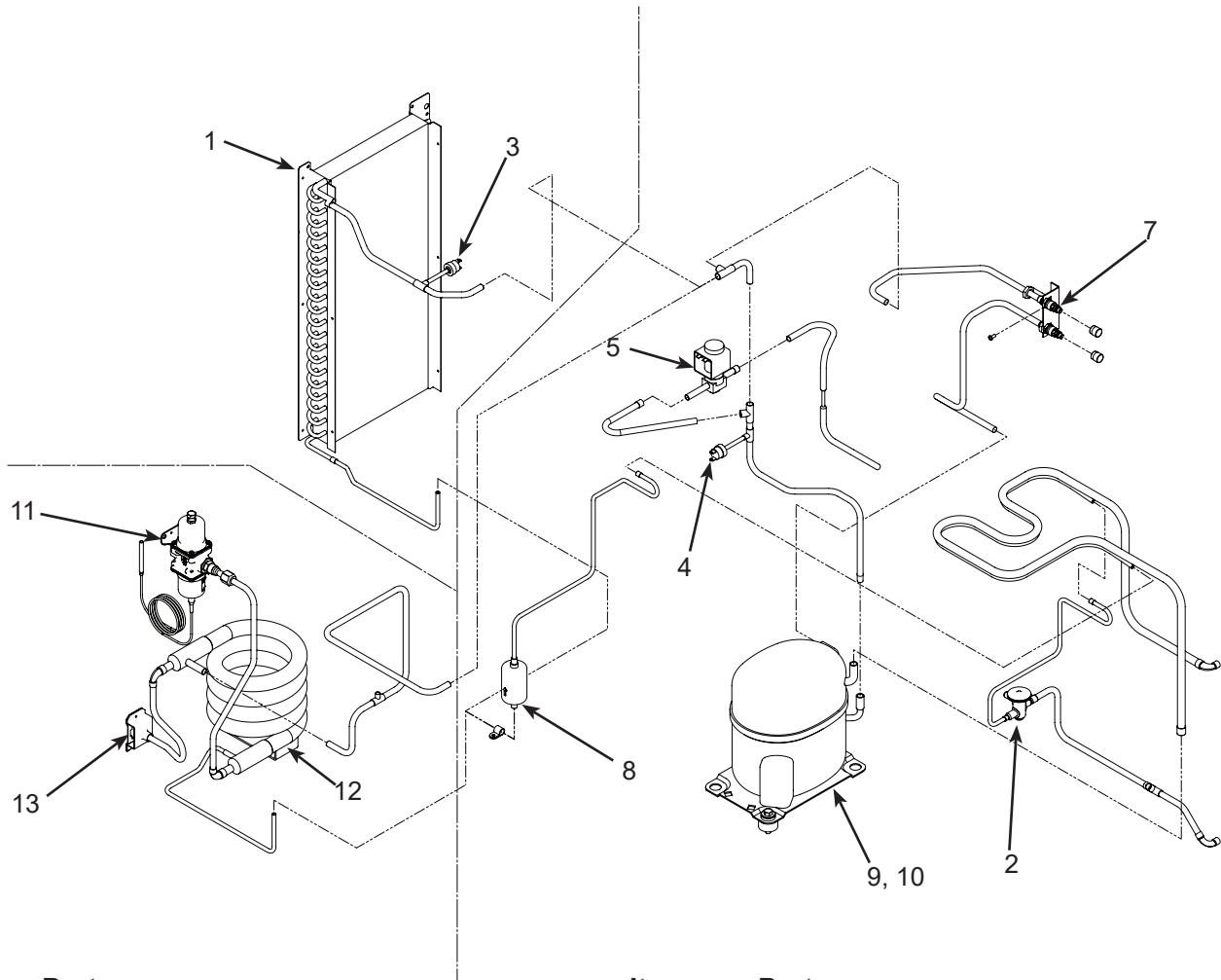
	small cube	medium cube
MC0322	A38626-021	A38626-022
MC0522	A38627-021	A38627-022
MC0722	A38628-021	A38628-022

Item Number	Part Number	Description
7	02-4100-31	Curtain, MC0322
	02-4100-32	Curtain, MC0522
	02-4611-21	Curtain, MC0722
8	11-0563-01	Curtain switch
9	11-0563-02	Curtain switch magnet
10	A39560-001	Side panel support, MC0322, MC0522
	A39584-001	Side panel support MC0722
11	03-1418-30	Mounting screw
12	13-0943-01	Gasket tape, order by foot
13	02-4156-21	Spillway replacement kit

Note: Item 7 includes item 9, shipped loose

# MC0322, MC0522 and MC0722 Service Parts

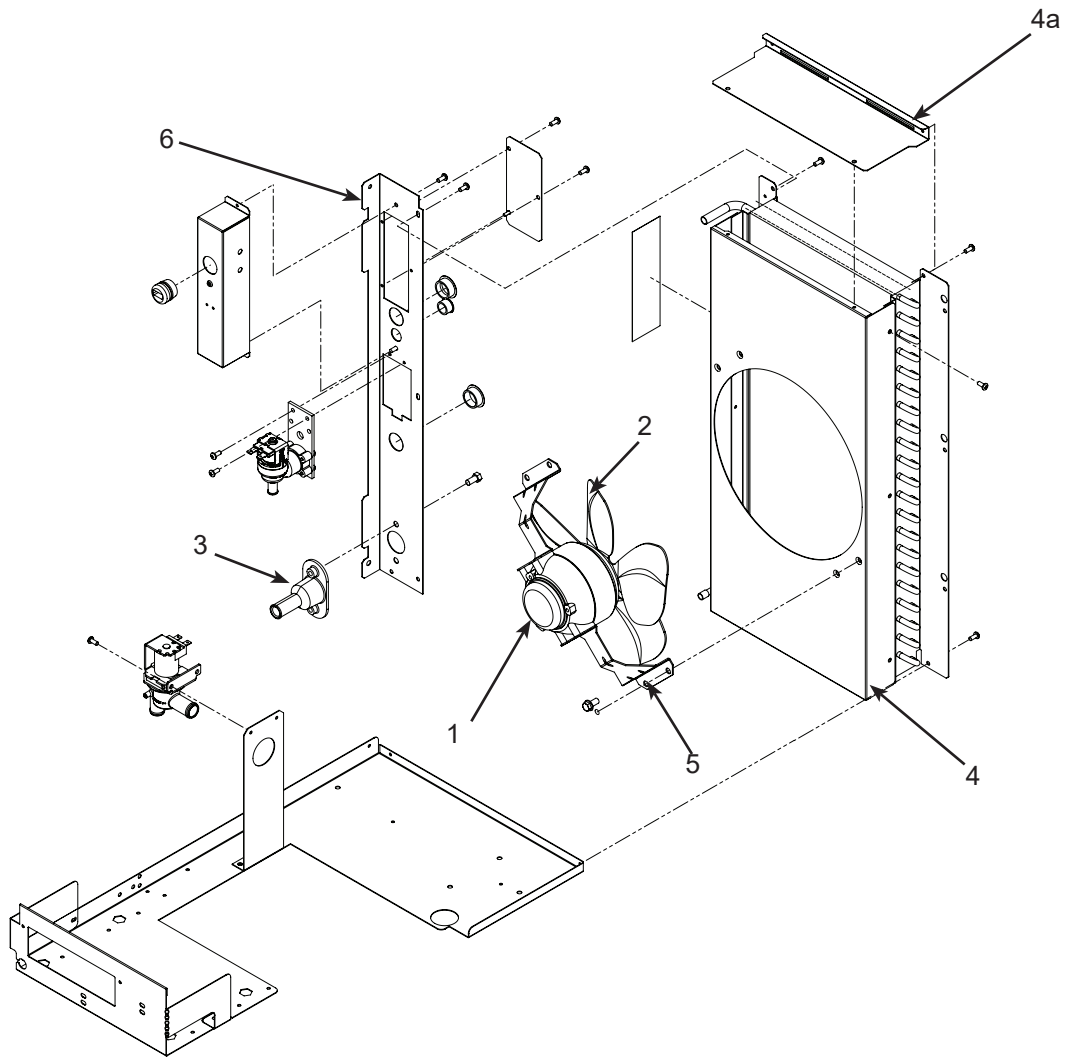
## Air or Water Cooled Refrigeration



Item Number	Part Number	Description	Item Number	Part Number	Description
1	18-8890-01	Condenser, AC	7	16-1137-01	Valve body
2	16-1183-21	TXV, MC0322		16-1138-01	MC0722 Valve body
	16-1184-01	TXV, MC0522	7a	16-1139-01	Core
	16-1142-21	TXV, MC0722	7b	16-1140-01	Cap
	19-0599-06	Insulation for TXV	8	02-3319-01	Dryer
3	11-0566-21	Fan cycle pressure sw.	9	see page 10	Compressors
4	11-0501-05	Hi pressure cut out (AC)	10	see page 10	Compressor mounting hdw
	11-0501-01	Hi pressure cut out (WC)	11	11-0608-21	Water regulating valve
5	11-0493-02	Hot gas valve w/coil, 115 volt	12	18-8871-21	Condenser
	12-2719-21	115 volt coil only	13	A31828-002	Condenser drain
	11-0493-01	Hot gas valve w/coil, 230 volt			
	12-2719-22	230 volt coil only			
	12-2733-30	HGV rebuild kit			

# MC0322, MC0522 and MC0722 Service Parts

## Fan and Condenser Area - MC0322

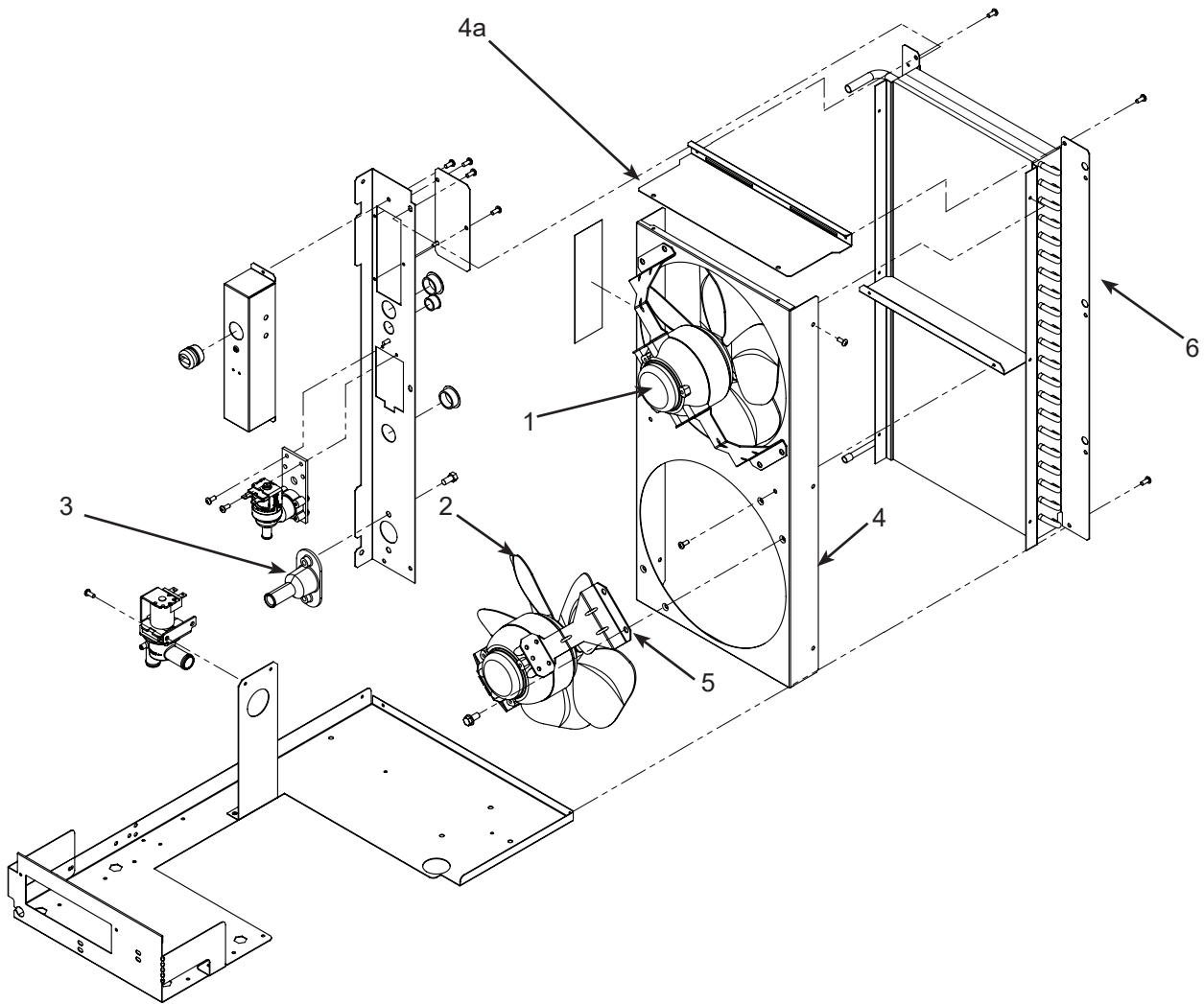


Item Number	Part Number	Description
1	12-1681-23	Fan motor, MC0322, 115 volt
	12-1681-04	Fan motor, MC0322, 230 volt
2	18-8836-01	Fan blade, MC0322
3	02-3692-21	Drain adapter - also for WC and RC
4	A39350-001	Fan shroud, MC0322
4a	A39593-001	Fan shroud top
5	A38480-001	Fan motor bracket, MC0322
6	A39585-001	Utility bracket



# MC0322, MC0522 and MC0722 Service Parts

## Fan and Condenser Area - MC0522, MC0722

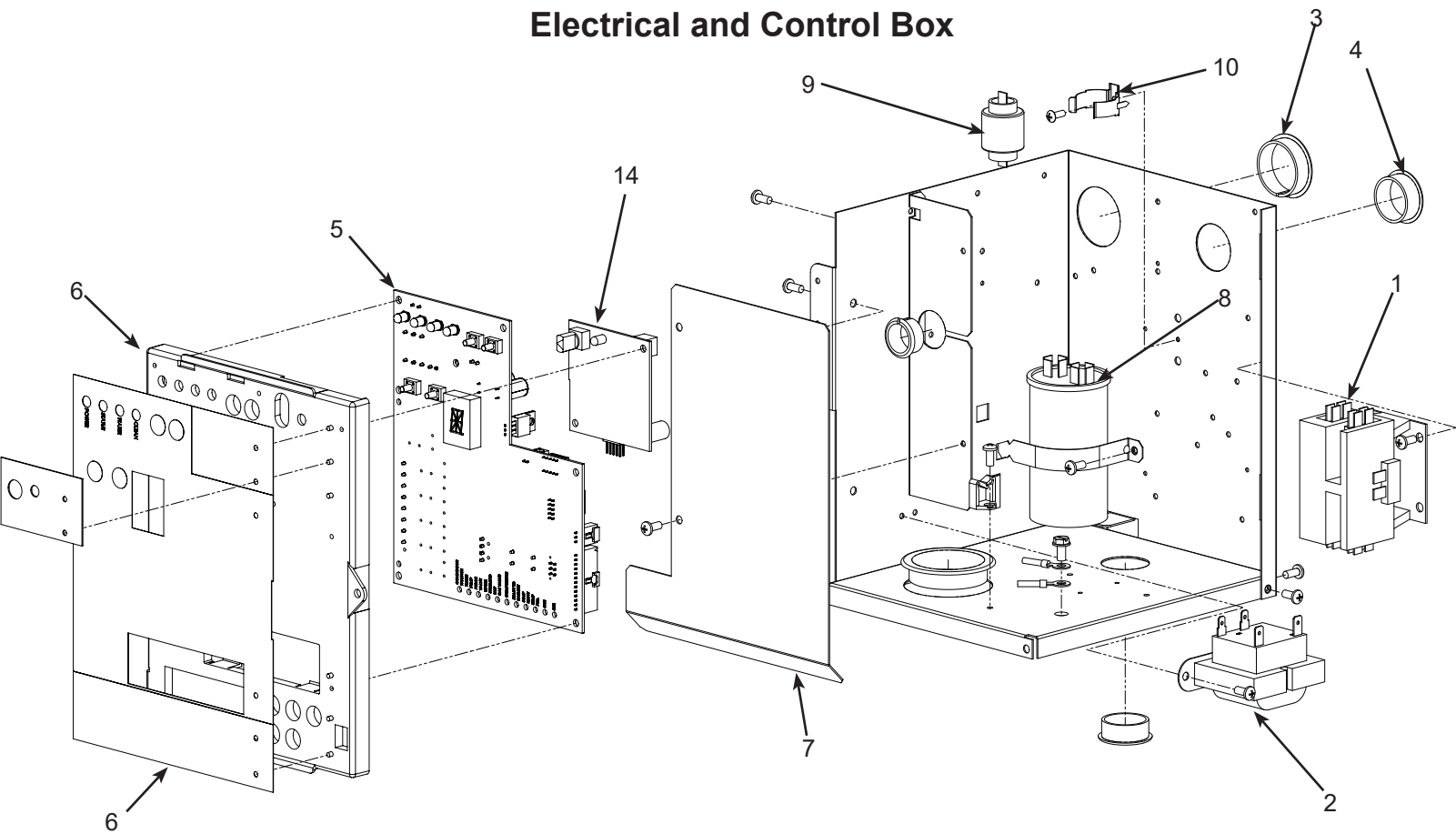


Item Number	Part Number	Description
1	12-1681-23	Fan motor, MC0522 115 v
	12-1681-04	Fan motor, MC0522, MC0722 230 volt
2	18-8836-01	Fan blade, MC0522, MC0722
3	02-3692-21	Drain adapter - also for WC and RC
4	A39351-001	Fan shroud - MC0522, MC0722
4a	A39593-001	Fan shroud top, MC0522, MC0722
5	A38480-001	Fan motor bracket, MC0522, MC0722
6	A39585-001	Back panel - MC0522, MC0722



# MC0322, MC0522 and MC0722 Service Parts

## Electrical and Control Box



Item Number	Part Number	Description
1	12-2469-03	Contactora, 115 volt
	12-2469-02	Contactora, 230, single ph
2	12-2924-01	Transformer, 115 volt
	12-2924-02	Transformer, 230 volt
3	12-1213-11	Snap bushing
4	12-1213-15	Snap bushing
5	11-0640-21	Controller for MC cubers
6	02-5168-01	Control box door
	02-5166-01	Overlay label
7	A39216-001	Barrier
8	see next page Run capacitor	
9	see next page PTCR -	
10	18-8835-02	Bracket
Wiring Harnesses (not illustrated)		
11	12-2931-01	Power harness, A & W
	12-2931-02	Power harness, Remote
Power harness connects to J1 on controller		
12	12-2932-01	Hi voltage harness, A & W
	12-2933-01	Hi voltage harness, Rem
Hi voltage harness has the 8 pin connector		
13	12-3185-01	WLS harness
14	KVS	Vari-smart ice level control
15	KSBUN	

# MC0322, MC0522 and MC0722 Service Parts

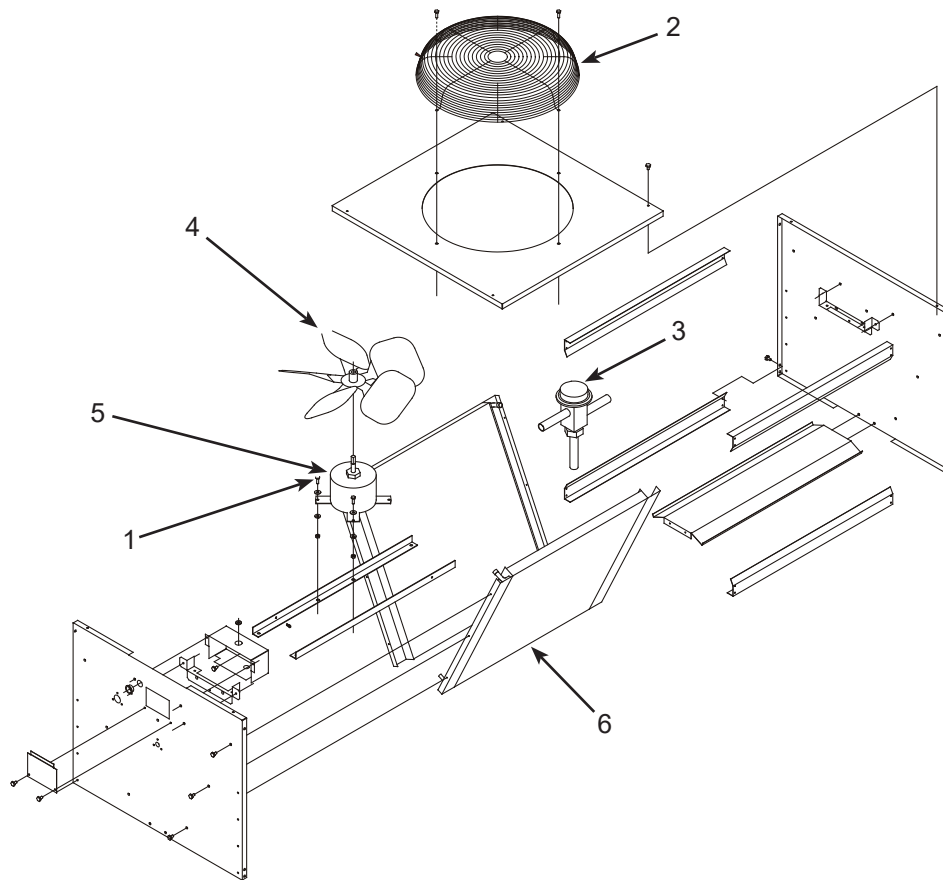
## Compressors and Compressor Electrical

Model	Series	Electrical	Compressor	Overload	Run Ca- pacitor	PTCR
MC0322-1		115/60/1	18-8897-21	18-8897-23	18-1902-69	18-8835-01
MC0322-32		208-230/60/1	18-8897-22	18-8897-27	18-1902-68	18-8835-01
MC0522-1		115/60/1	18-8897-21	18-8897-23	18-1902-69	18-8835-01
MC0522-32		208-230/60/1	18-8897-22	18-8897-27	18-1902-68	18-8835-01
MC0722-32		208-230/60/1	18-8955-22	Internal	18-1902-67	18-8835-01

Model	Series	Bolt	Washer	Grommet	Sleeve
MC0322, MC0522		03-1405-20	03-1407-07	18-4700-28	18-0108-41
MC0722		03-1405-20	03-1407-07	18-2200-28	18-2200-27

# MC0322, MC0522 and MC0722 Service Parts

## Remote Condenser



Item Number	Part Number	Description
1	03-1405-08	Screw
2	02-3575-01	Fan guard
3	11-0422-22	Headmaster
4	18-8816-01	Fan blade
5	12-2651-02	Fan motor - 115 volt (ERC111 and ERC211)
6	18-8815-01	Coil

Not Shown:

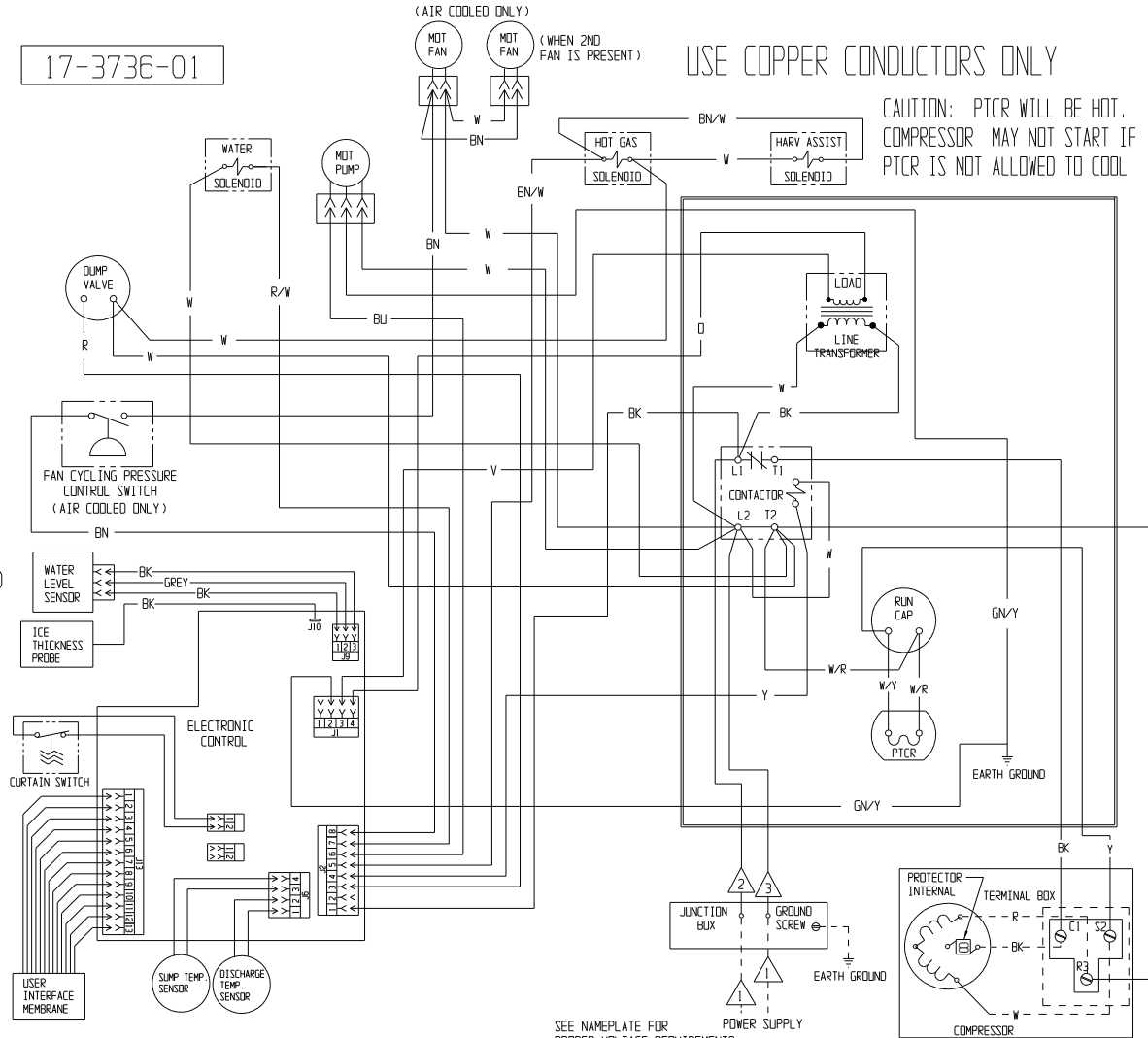
A37169-001	Leg
A37170-001	Leg brace
03-1645-01	Screw for legs
16-0850-01	Quick connect, discharge
16-0850-03	Quick connect, liquid

# MC0322, MC0522 and MC0722 Service Parts Wiring Diagram MC0322

17-3736-01

USE COPPER CONDUCTORS ONLY

CAUTION: PTCR WILL BE HOT.  
COMPRESSOR MAY NOT START IF  
PTCR IS NOT ALLOWED TO COOL



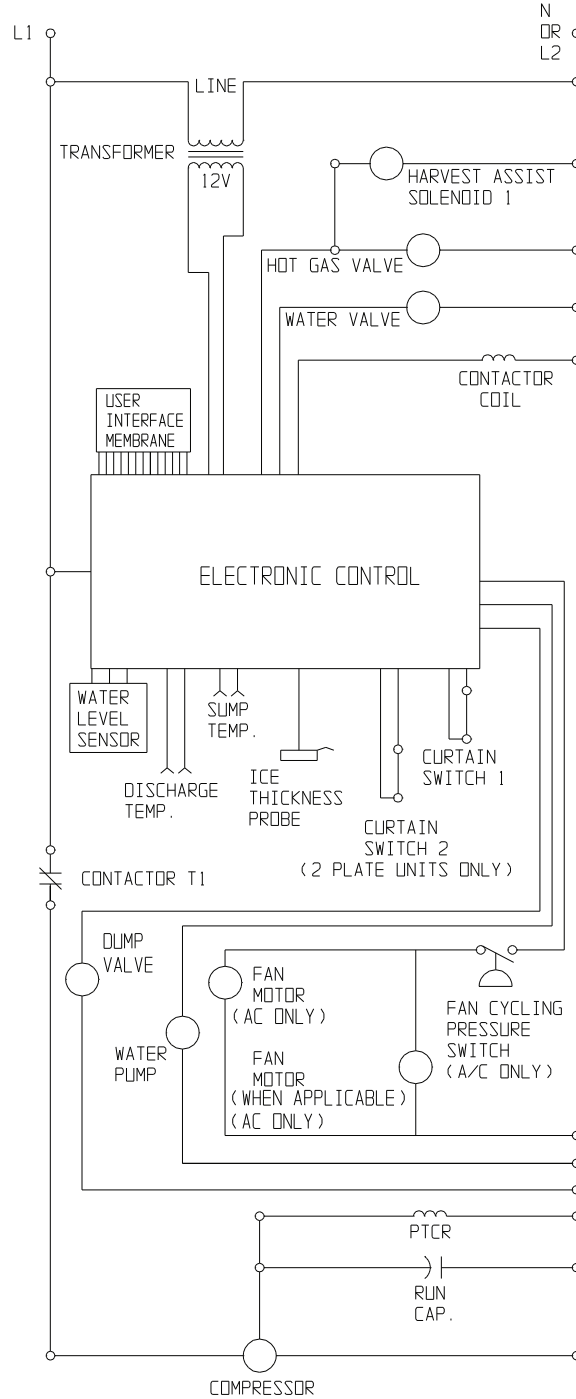
CAUTION:  
SEE NAMEPLATE FOR  
PROPER VOLTAGE REQUIREMENTS  
AND MAXIMUM FUSE SIZE.  
MORE THAN ONE DISCONNECT MEANS MAY BE  
REQUIRED TO DISCONNECT ALL POWER TO THIS UNIT.

- ⚠ DASHED LINES INDICATE FIELD WIRING WHICH MUST BE INSTALLED IN ACCORDANCE WITH THE NATIONAL ELECTRICAL CODE AND ALL STATE AND LOCAL CODES.
- ⚠ WIRE COLOR FOR 208-230/60/1 AND 115/60/1 UNITS: BLACK
- ⚠ WIRE COLOR FOR 115/60/1 UNITS: WHITE  
WIRE COLOR FOR 208-230/60/1 EXCEPT CR UNITS: BLACK W/WHITE STRIP  
WIRE COLOR FOR ONLY CR630 UNITS: BROWN

THIS UNIT MUST  
BE GROUNDED.

# MC0322, MC0522 and MC0722 Service Parts

## Schematic Diagram MC0322



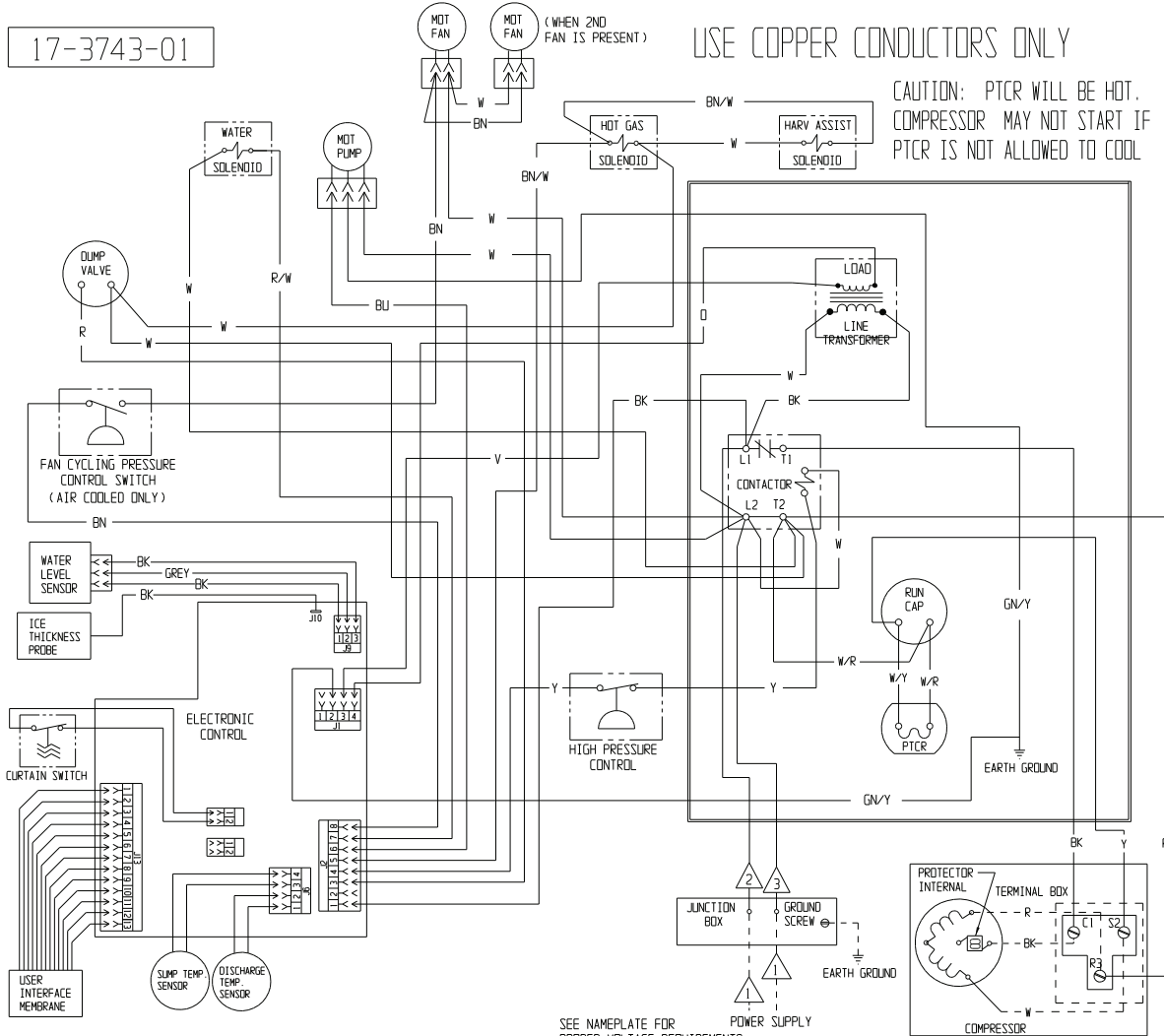
# MC0322, MC0522 and MC0722 Service Parts

## Wiring Diagram MC0522

17-3743-01

USE COPPER CONDUCTORS ONLY

CAUTION: PTCR WILL BE HOT.  
COMPRESSOR MAY NOT START IF  
PTCR IS NOT ALLOWED TO COOL



THIS UNIT MUST  
BE GROUNDED.

CAUTION:  
MORE THAN ONE DISCONNECT MEANS MAY BE  
REQUIRED TO DISCONNECT ALL POWER TO THIS UNIT.

SEE NAMEPLATE FOR  
PROPER VOLTAGE REQUIREMENTS  
AND MAXIMUM FUSE SIZE

- ⚠ DASHED LINES INDICATE FIELD WIRING WHICH MUST BE INSTALLED IN ACCORDANCE WITH THE NATIONAL ELECTRICAL CODE AND ALL STATE AND LOCAL CODES.
- ⚠ WIRE COLOR FOR 208-230/60/1 AND 115/60/1 UNITS: BLACK
- ⚠ WIRE COLOR FOR 115/60/1 UNITS: WHITE  
WIRE COLOR FOR 208-230/60/1 EXCEPT CR UNITS: BLACK W/WHITE STRIP  
WIRE COLOR FOR ONLY CR0322, CR0522, CR0630 AND CR1030 UNITS: BROWN

# MC0322, MC0522 and MC0722 Service Parts

## Schematic Diagram MC0522

